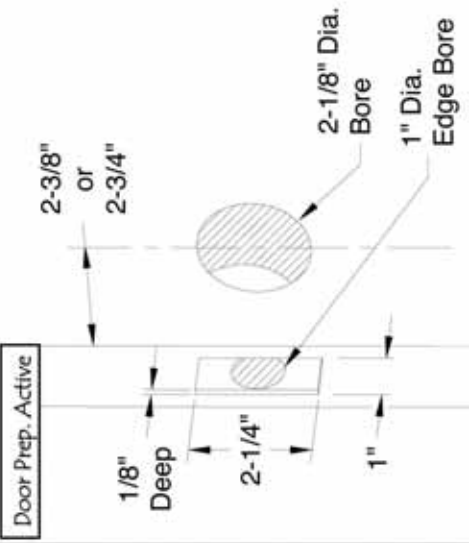
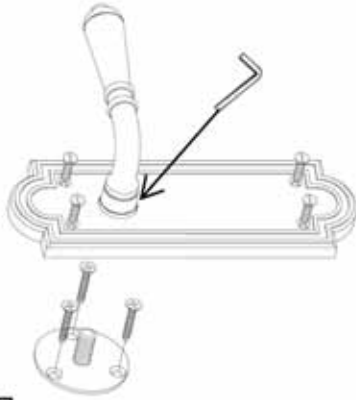


**Installation Guide— Non-Keyed Plates : Lever**

**IMPORTANT:** Lever location on the sideplate (top, middle, or bottom) varies depending on style. Determine proper orientation before drilling holes.

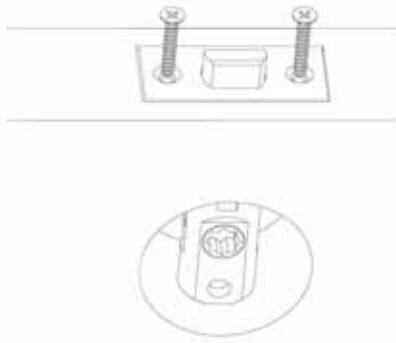


**Dummy**

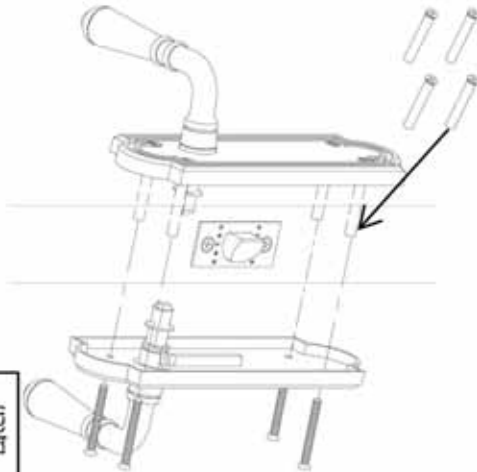


After lock has been installed tighten set screw with allen wrench.

**Optional Thru Bolts**

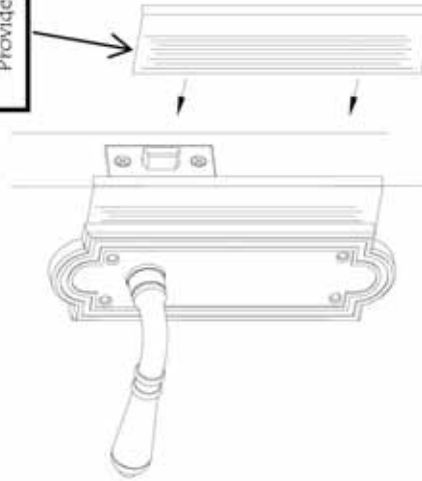


**Latch**



Thru bolts (provided) may be used on hollow doors instead of wood screws (also provided).

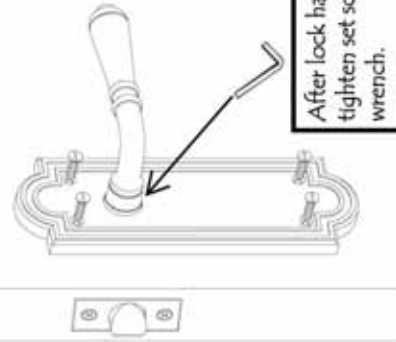
**Align Plates**



Edge Guide Provided

Align sideplates using edge guide.

**Mount Plates**



After lock has been installed tighten set screw with allen wrench.

Drill pilot holes, install wood screws or thru bolts as required (both types are provided).

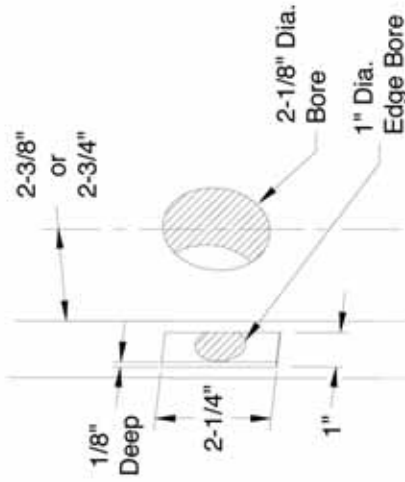
**EMTEK**  
**ASSA ABLOY**

866-311-1111

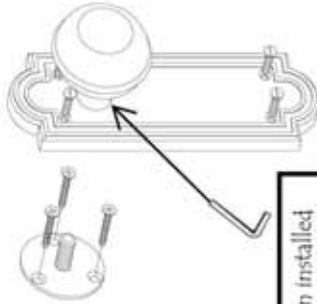
Installation Guide— Non-Keyed Plates : Knob

**IMPORTANT:** Knob location on the sideplate (top, middle, or bottom) varies depending on style. Determine proper orientation before drilling holes.

Door Prep. Active

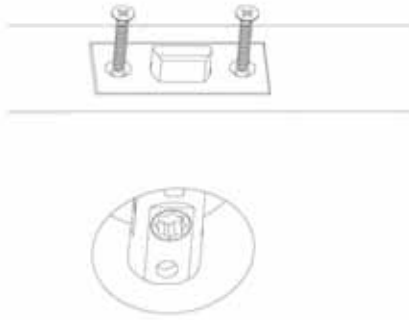


Dummy



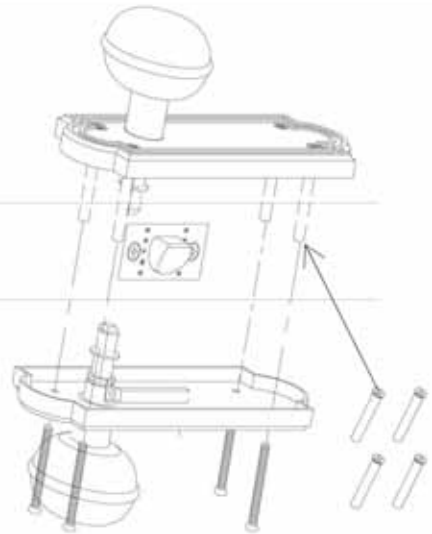
After lock has been installed tighten set screw with allen wrench.

Latch

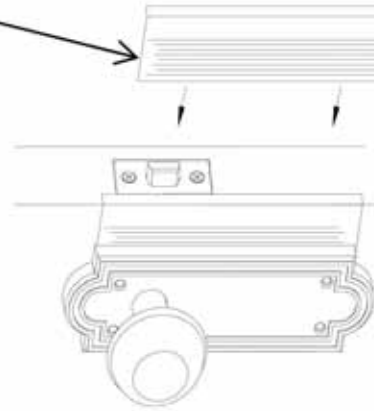


Optional Thru Bolts

Thru bolts (provided) may be used on hollow doors instead of wood screws (also provided).



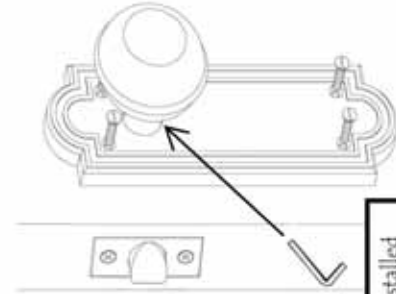
Align Plates



Align sideplates using edge guide.

Edge Guide Provided

Mount Plates



After lock has been installed tighten set screw with allen wrench.

Drill pilot holes, install wood screws or thru bolts as required (both types are provided).

