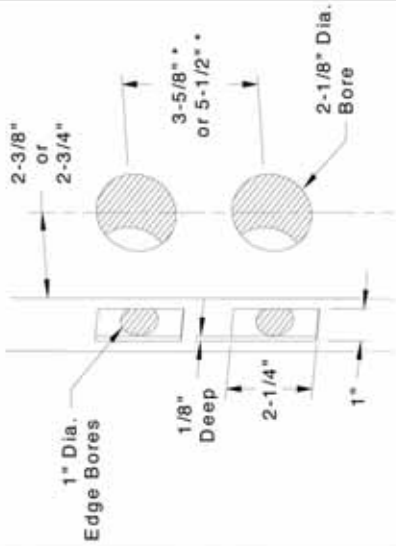


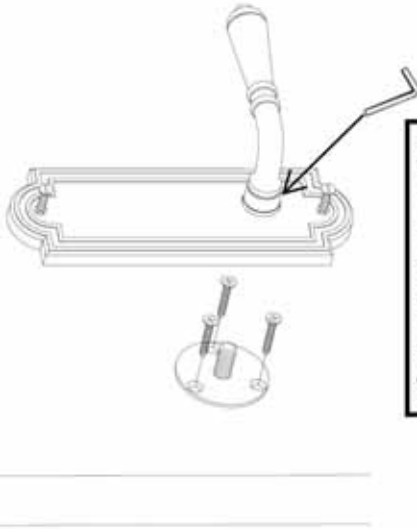
Installation Guide— Keyed Plates : Lever

Door Prep. Active



*NOTE: DIM. VARIES DEPENDING ON STYLE

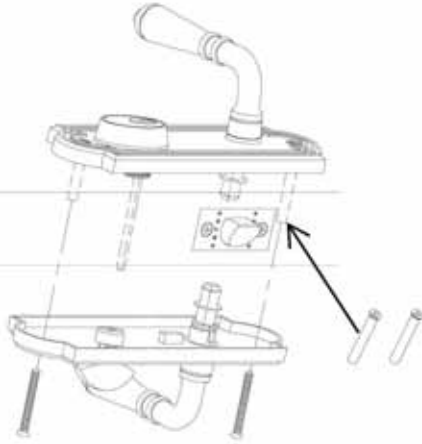
Dummy



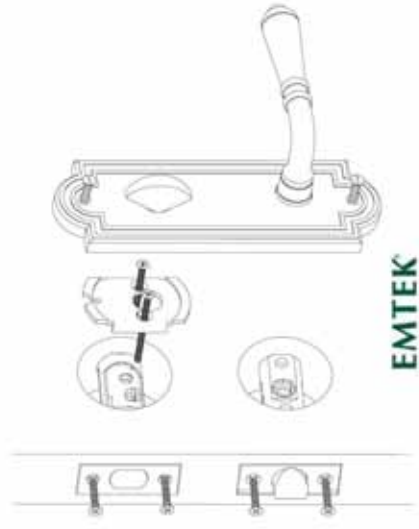
After lock has been installed tighten set screw with allen wrench.

Optional Thru Bolts

Thru bolts (provided) may be used on hollow doors instead of wood screws (also provided).

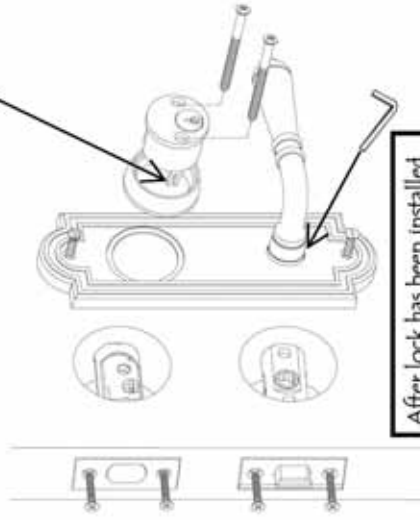


Inside Single Cylinder



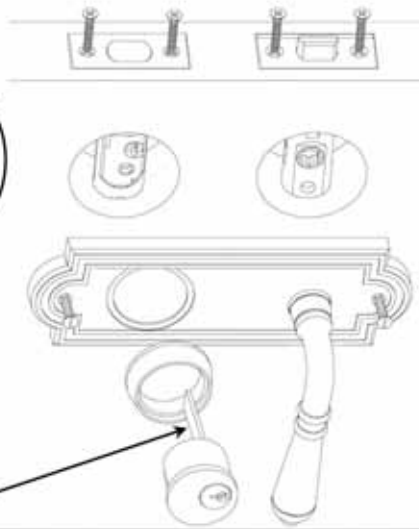
After lock has been installed tighten set screw with allen wrench.

Inside Double Cylinder



After lock has been installed tighten set screw with allen wrench.

Outside Single or Double Cylinder



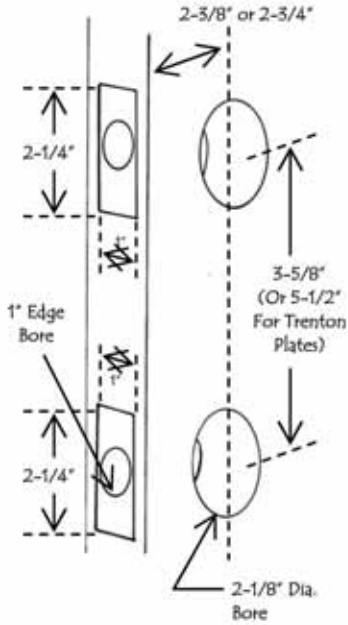
Tailpiece - Horizontal

Double Cylinder

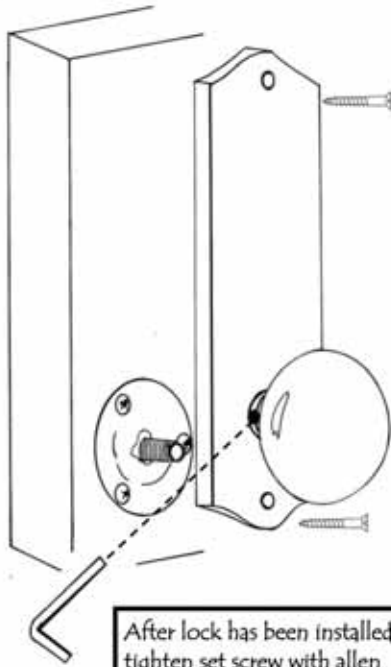
EMTEK
ASSA ABLOY

Installation Guide— Keyed Plates: Knob

Door Prep. Active

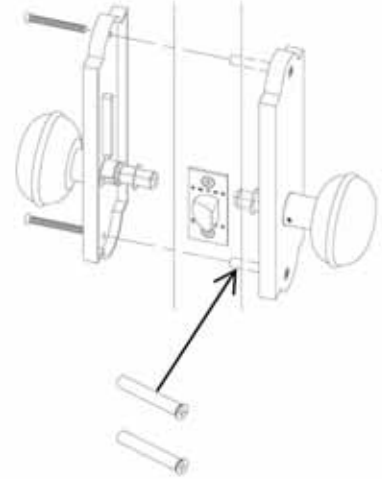


Dummy



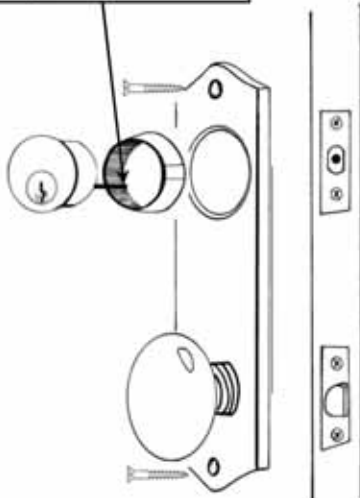
Optional Thru Bolts

Thru bolts (provided) may be used on hollow doors instead of wood screws (also provided).

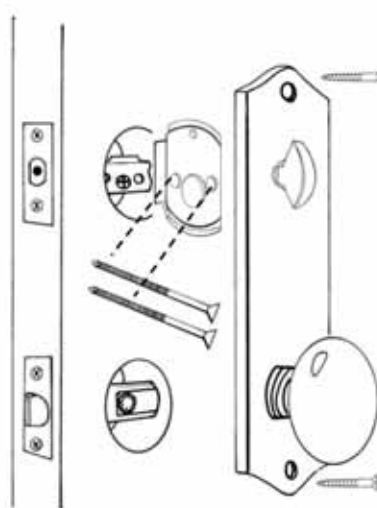


Outside Single or Double Cylinder

Tailpiece - Horizontal



Inside Single Cylinder



Inside Double Cylinder

Tailpiece - Vertical

