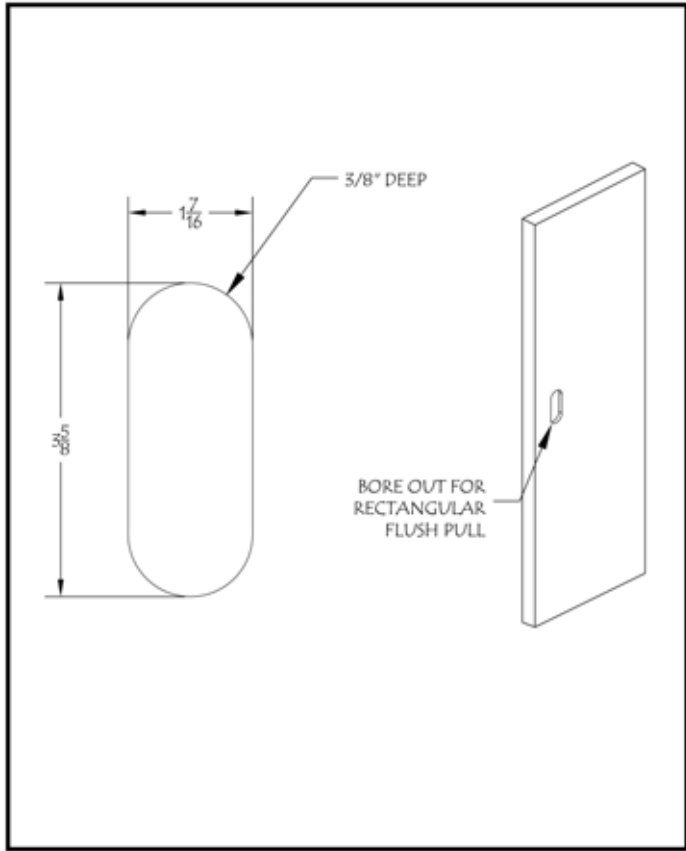


TEMPLATE - RECTANGULAR FLUSH PULL



TEMPLATE - ROUND FLUSH PULL

