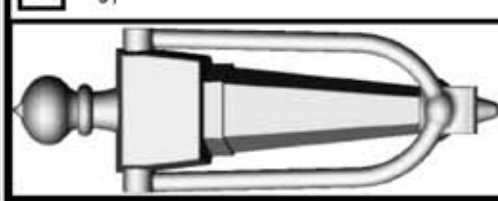
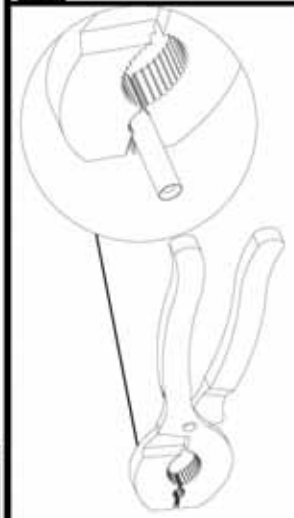
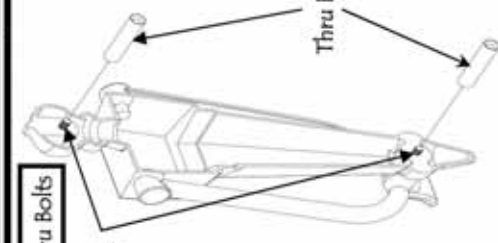


Installation Instructions-Door Knocker - Narrow Style - 2621

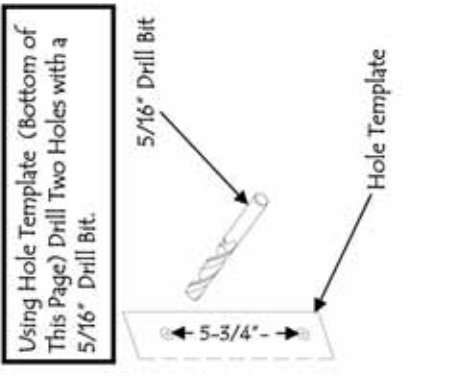


Install Thru Bolts



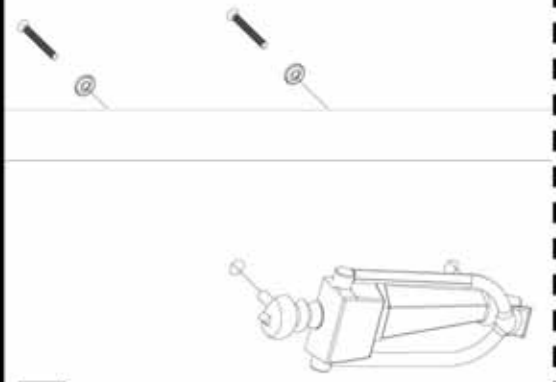
Thread Thru Bolts (Provided) onto Knocker Set Screws. Use Pliers to Ensure that Bolts are Secure.

Drill Holes In Door

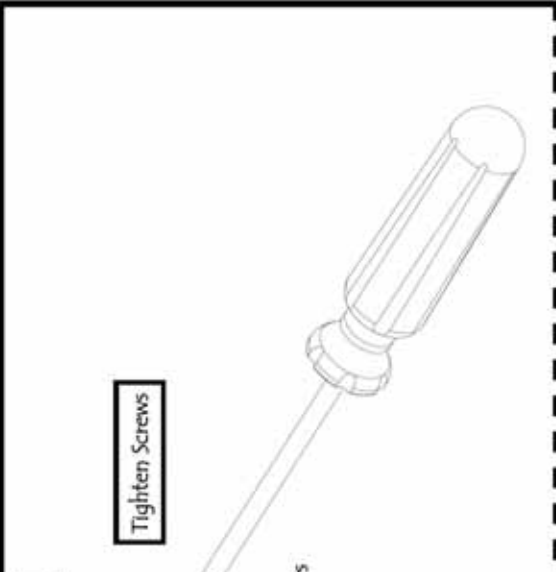


Using Hole Template (Bottom of This Page) Drill Two Holes with a 5/16" Drill Bit.

Knocker Installation



Knocker Installation



Hole Template



EMTEK ASSA ABLOY

REWORKING REV. 01/2016